



1CX Series Pumps

Industrial quality compact misting pumps



Product Quality, Reliability and Support You Expect

www.catpumps.com

Keeping Customers Comfortable

The high-pressure water pump is the most important part of a misting system. This is why customers select products such as the 1CX series pump from Cat Pumps. The 1CX is an incredibly reliable pump designed to keep your equipment running. From the oil lubricated drive-end to the specially designed regulator, engineers at Cat Pumps set out to design the best compact misting pump available.

The 1CX is the perfect fit for misting applications that require 0.5 gpm or less. With seals that run thousands of hours before requiring any servicing, the 1CX is small in size but has the same life expectancy as our industrial products.

Select Cat Pumps for your compact misting units and take advantage of the following benefits:

- Happier customers
- Maximize uptime with fewer repairs and lower maintenance costs
- Greater confidence in equipment performance

Typical Applications:

- Restaurants
- Patios
- Pools
- Zoos
- Gardens
- Resorts
- Theme Parks
- Sporting Events
- Playgrounds

Pump Specifications

	U.S. Measure	Metric Measure
Flow :	60 Hz – 0.13, 0.25, 0.5 gpm	60 Hz – 0.49, 0.95, 1.89 lpm
	50 Hz – 0.11, 0.20, .41 gpm	50 Hz – 0.42, 0.76, 1.55 lpm
Pressure Range:	100 – 1000 psi	7 – 70 bar
RPM:	1750 (60 Hz)	1750 (60 Hz)
	1450 (50 Hz)	1450 (50 Hz)
Inlet Port:	3/8" NPT(F)	3/8" NPT(F)
Discharge Port:	1/4" NPT(F)	1/4" NPT(F)
Seals:	NBR	NBR
Manifold:	Brass	Brass
Weight:	3.45 lbs	1.56 kg



Photos provided by Modern Misting Systems Inc.

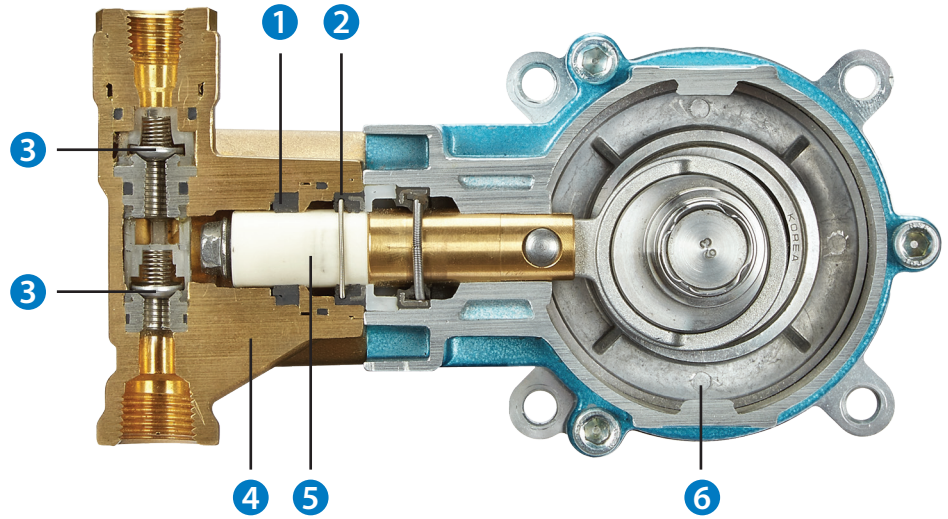


“The applications I serve often require the pumps to perform at the edge of their operating limits. Cat Pumps are the only pumps that can handle the application variation and still meet the demands in life that customers need.”

Ali Erturk • Aniks

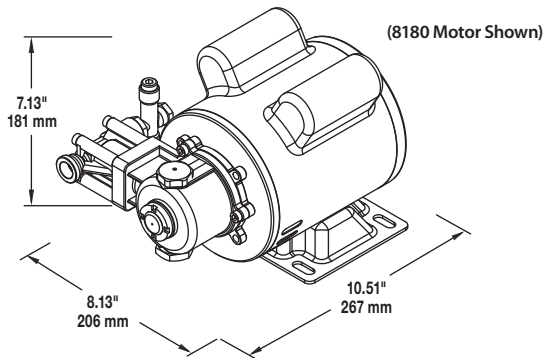
1CX Features – Compact and Long-Lasting

- 1 Industry-proven high-pressure seal**
For longest service life
- 2 Low-pressure seal**
For leak-free design
- 3 Stainless steel check valves**
For the best corrosion and wear resistance
- 4 Brass manifold**
Rugged and economical
- 5 Ceramic plunger**
For a true seal-surface
- 6 Oil lubricated drive-end**
For long-life



Compact Design

High performance with a small footprint



Model 7561 Regulator

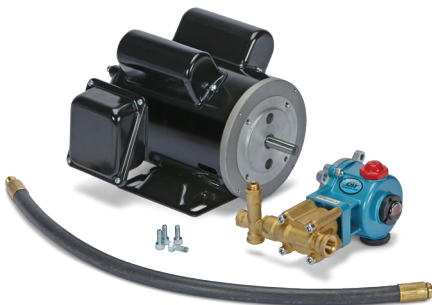
Standard feature with 1CX series pumps. Designed specifically for low-flow misting applications.

- Compact
- Quiet
- Consistent Pressure
- Precise Adjustment



Configuration Options

Cat Pumps provides product to best fit your needs from separate components to a complete unit and everything in between.



Ordered as separate components to be assembled by customer.



Pump assembled to motor and ready to install in misting system.



Custom power units configured to system requirements.

Model Number Selection Chart

Series	Flow (1750 rpm)	Regulator	Assemble Option	Motor Option*	Pulse Hose Option
1CX	013 = .13 gpm	R = Regulator Included	D = Pump and Motor shipped together – not assembled	1 = 8180	Blank = No Pulse Hose
	025 = .25 gpm			2 = 8182	
	050 = .5 gpm		A = Pump and Motor assembled together	3 = 8185	P = Pulse Hose Included
				4 = 8183	

Example: 1CX050RA2P = .5 gpm, Regulator, 8182 Motor, Assembled, Pulse Hose included

* See Motor Options Chart Below

Motor Options

Motors	8180	8182	8185	8183
Horsepower**	1/4 Hp	1/2 Hp	1/2 Hp	1/2 Hp
Phase	Single	Single	Single	Single
Hertz	60 Hz	60 Hz	60 Hz	50 Hz
Voltage	115V / 230V	115V / 230V	115V / 230V	115V / 230V
rpm	1750 rpm	1750 rpm	1750 rpm	1450 rpm
Full load amp*	2.8 / 1.4	4.8 / 2.4	4.8 / 2.4	6.4 / 3.2
Service factor	1.0	1.0	1.0	1.0
Shaft diameter	1/2"	1/2"	1/2"	1/2"
Connection	12" leads	12" leads	Terminal Box	Terminal Box
Capacitors	Start and Run	Start and Run	Start and Run	Start and Run
Insulation class	E	E	E	F
Motor type	ODP	ODP	ODP	TEFC
Compliance	RoHS CSA	RoHS CSA	RoHS CSA	RoHS, CE UL, CSA
Weight	15.80 lbs	21.75 lbs	22.25 lbs	28.85 lbs

*NOTE: Without pulse hose amp draw will increase as much as 2 amps depending upon pump model and discharge pressure.

** HP Calculation = (GPM X PSI) ÷ 1060

Replacement Parts

Fan Cover	999525	999525	999525	N/A
Capacitor Cover	999529	999526	999526	N/A



8180 and 8182
12" wire leads



8185
Terminal Box



8183
Terminal Box



CAT PUMPS

1681 - 94TH LANE N.E. MINNEAPOLIS, MN 55449-4324
PHONE (763) 780-5440 — FAX (763) 780-2958
e-mail: techsupport@catpumps.com
www.catpumps.com